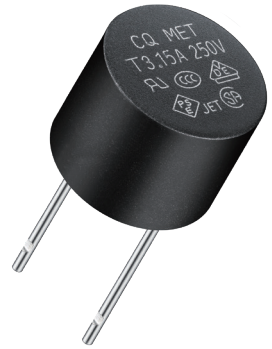


# MET

8.35Ø x 7.7 mm

Time-Lag Fuse



## Agency Approvals

Agency	Ampere Rating
UL Recognized	50mA - 6.3A (250V/277V)
VDE	50mA - 6.3A
CSA Acceptance	50mA - 6.3A
TUV	8A / 10A
PSE	1A - 10A (250V/277V)
KTL	50mA - 6.3A
CCC	50mA - 6.3A

## Interrupting Rating

35 amperes or 10 x rated current; whichever is greater at 250V AC.

35 amperes or 10 x rated current; whichever is greater at 277V AC. (Optional)

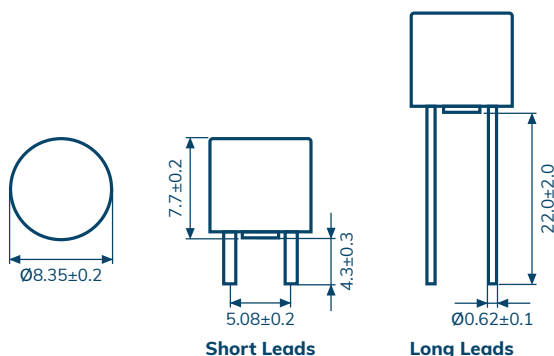
## Product Characteristics

Operating Temperature	-55 °C to 125 °C
Material	Base and Cover: Black thermoplastic, UL 94-V0 Round Pins: Tin Plated Copper

## Packaging

Packaging Option	Quantity
In Bulk	1,000 pcs / box
On Tape	1,000 pcs / box

## Mechanical Dimensions (mm)



## Electrical Characteristics

Ampere Rating	Opening Time									
	1.5 In		2.1 In		2.75 In		4 In		10 In	
	MIN	MAX	MIN	MAX	MIN	MAX	MIN	MAX	MIN	MAX
50mA - 6.3A	60 min	2 min	400 ms	10 sec	150 ms	3 sec	20 ms	150 ms		
8A - 10A	60 min	5 min	1 sec	20 sec	150 ms	3 sec	20 ms	150 ms		

Catalog Number	Ampere Rating (A)	Voltage Rating (V)	Nominal Cold Resistance (Ohms)	Voltage Drop (mv) MAX	Nominal Melting I <sup>2</sup> t (A <sup>2</sup> sec.)
MET .050	50mA	250V*1	8.9000	550	0.0225
MET .063	63mA		5.4053	480	0.0446
MET .080	80mA		3.6870	400	0.0634
MET .100	100mA		2.4063	350	0.1080
MET .125	125mA		1.6194	300	0.1223
MET .160	160mA		1.2458	280	0.1700
MET .200	200mA		0.8240	260	0.3060
MET .250	250mA		0.6300	240	0.6019
MET .315	315mA		0.3800	220	0.8216
MET .400	400mA		0.2700	200	1.4832
MET .500	500mA		0.1950	190	2.7000
MET .630	630mA		0.1322	180	3.1792
MET .800	800mA		0.0907	160	5.7600
MET 001	1A		0.0750	140	8.7300
MET 1.25	1.25A		0.0550	130	14.766
MET 1.60	1.6A		0.0425	120	23.040
MET 002	2A		0.0316	100	36.000
MET 2.50	2.5A		0.0241	100	56.250
MET 3.15	3.15A		0.0188	100	93.768
MET 004	4A		0.0136	100	158.40
MET 005	5A	0.0100	100	202.50	
MET 6.30	6.3A	0.0074	100	310.77	
MET 008	8A	0.0042	80	155.52	
MET 010	10A	0.0034	75	288.00	

\* 1 : 277V Optional