

# MCT

8.35 x 3.95 x 5.0 mm

Time-Lag Fuse



## Agency Approvals

Agency	Ampere Rating
Recognized Component for Canada and US	1A - 6.3A
TUV	1A - 6.3A
PSE	1A - 6.3A
KC	1A - 6.3A
CQC	1A - 6.3A

## Interrupting Rating

160 amperes at 250V AC  
 100 amperes at 250V DC  
 130 amperes at 300V AC (Optional)  
 100 amperes at 400V AC (Optional)

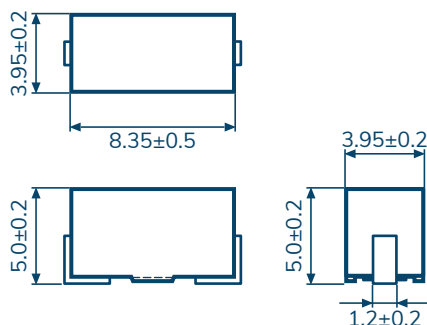
## Product Characteristics

<b>Operating Temperature</b>	-55 °C to 125 °C
<b>Material</b>	Base and Cover: Brown thermoplastic, UL 94-V0 Flat lead wire: Tin Plated Copper

## Packaging

Packaging Option	Quantity
On Tape	2,000 pcs / reel

## Mechanical Dimensions (mm)



## Electrical Characteristics

Ampere Rating	Opening Time			
	1.25 In	2 In	10 In	
	MIN	MAX	MIN	MAX
1A - 6.3A	60 min	2 min	10 ms	100 ms

Catalog Number	Ampere Rating (A)	Voltage Rating (V)	Nominal Cold Resistance (Ohms)	Voltage Drop (mv) MAX	Nominal Melting I <sup>2</sup> t (A <sup>2</sup> sec.)
MCT 001	1A	250V*1	0.0745	300	6.5998
MCT 1.25	1.25A		0.0576	300	9.2800
MCT 1.60	1.6A		0.0405	300	17.700
MCT 002	2A		0.0342	300	31.200
MCT 2.50	2.5A		0.0233	300	39.938
MCT 3.15	3.15A		0.0184	300	55.635
MCT 004	4A		0.0137	300	115.05
MCT 005	5A		0.0101	300	135.00
MCT 6.30	6.3A		0.0083	300	214.33

\*1: 300V/400V optional