

ATE/ATP-A

6.3Ø x 32 mm

Time-Lag Fuse



Agency Approvals

Agency	Ampere Rating
UL Listed	500mA - 8A
CSA Certified	500mA - 8A
PSE	ATE: 1A - 8A (250V) 1A - 5A (125V / 32V) ATP-A: 1A - 8A

Interrupting Rating

500mA - 10A:	10,000 amperes at 125V AC
500mA - 1A:	35 amperes at 250V AC
1.2A - 3.5A:	100 amperes at 250V AC
3.75A - 8A:	200 amperes at 250V AC

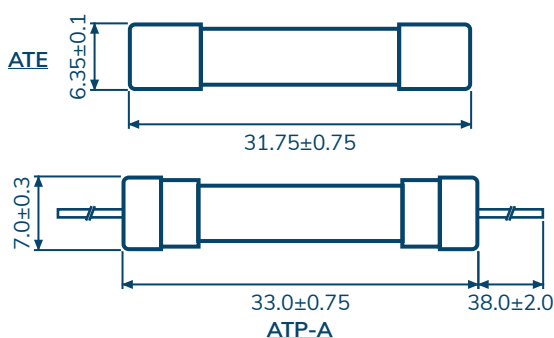
Product Characteristics

Operating Temperature	-55 °C to 125 °C
Material	Body: Glass / Caps: Nickel Plated Brass
Leads Wire	Ø0.8 mm 12A and less.

Packaging

Packaging Option	Quantity
Bulk	ATE: 500 pcs / box ATP-A: 250 pcs / box

Mechanical Dimensions (mm)



RoHS



Electrical Characteristics

Ampere Rating	Opening Time			
	1 In	1.35 In	2 In	
	MIN	MAX	MIN	MAX
500mA - 8A	4 hr	1 hr	2 sec	12 sec

Catalog Number	Ampere Rating (A)	Voltage Rating (V)	Nominal Cold Resistance (Ohms)	Nominal Melting I ² t (A ² sec.)
ATE / ATP-A .500	500mA	250V	0.7628	0.2931
ATE / ATP-A .600	600mA		0.4902	0.4970
ATE / ATP-A .630	630mA		0.4895	0.5650
ATE / ATP-A .700	700mA		0.4123	0.7610
ATE / ATP-A 750	750mA		0.3739	0.9455
ATE / ATP-A 800	800mA		0.3354	1.3788
ATE / ATP-A 001	1A		0.2184	2.4644
ATE / ATP-A 1.25	1.25A		0.1481	5.3063
ATE / ATP-A 1.50	1.5A		0.1171	7.9578
ATE / ATP-A 002	2A		0.0735	18.603
ATE / ATP-A 2.50	2.5A		0.0569	30.076
ATE / ATP-A 003	3A		0.0483	42.152
ATE / ATP-A 3.50	3.5A		0.0377	67.156
ATE / ATP-A 004	4A		0.0309	92.160
ATE / ATP-A 005	5A		0.0152	95.562
ATE / ATP-A 006	6A		0.0135	170.61
ATE / ATP-A 6.30	6.3A	0.0114	186.38	
ATE / ATP-A 007	7A	0.0105	221.77	
ATE / ATP-A 008	8A	0.0097	314.55	
ATE / ATP-A 010	10A	0.0070	504.56	