

# K5F

35.0Ø x 78.0 mm / 50.0Ø x 83.0 mm

Ideal for use in electric vehicles charging protection boards



## Agency Approvals

Agency	Ampere Rating
Recognized Component for Canada and US	225A - 700A
CCC	225A - 700A

## Interrupting Rating

225A - 400A:	150,000 amperes at 500V AC 50,000 amperes at 500V DC
450A - 700A:	150,000 amperes at 500V AC 50,000 amperes at 500V DC

Catalog Number	Ampere Rating (A)	Voltage Rating (V)
K5F 225	225A	500V
K5F 250	250A	
K5F 275	275A	
K5F 300	300A	
K5F 325	325A	
K5F 350	350A	
K5F 400	400A	
K5F 450	450A	
K5F 500	500A	
K5F 600	600A	
K5F 700	700A	

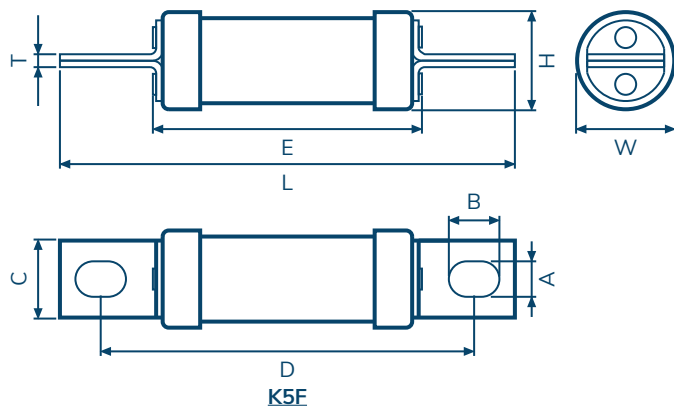
## Product Characteristics

Operating Temperature	-55 °C to 125 °C
Material	Body: Ceramic Caps: Tin Plated Copper Terminal: Tin Plated Copper

## Packaging

Packaging Option	Quantity	
Bulk	225A-400A: 10 pcs / box	450A-700A: 6 pcs / box

## Mechanical Dimensions (mm)



K5F Series	A	B	C	D	E	H	L	T	W
225A - 400A	10.5±1.0	19.0±1.0	26.0±1.0	78.0±4.5	47.0±3.0	35.0±2.0	110.0±3.0	6.0±0.2	35.0±2.0
450A - 700A	10.5±1.0	16.0±1.0	38.0±1.0	83.0±4.5	57.0±3.0	50.0±2.0	112.0±3.0	6.0±0.2	50.0±2.0