

ABB/ABB-A

6.3Ø x 32 mm

Super Fast-Acting Fuse



Agency Approvals

Agency	Ampere Rating
Recognized Component for Canada and US	1A - 30A

Interrupting Rating

1A - 20A: 200 amperes at 500V AC/DC

20.1A - 30A: 100 amperes at 500V AC/DC

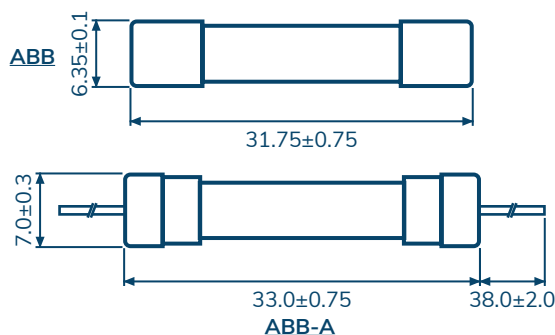
Product Characteristics

Operating Temperature	-55 °C to 125 °C
Material	Body: Ceramic / Caps: Nickel Plated Brass
Leads Wire	Ø0.8 mm 12A and less. Ø1.0 mm for rating above 13A to 14A. Ø1.2 mm for rating above 15A.

Packaging

Packaging Option	Quantity
Bulk	ABB: 500 pcs / box ABB-A: 250 pcs / box

Mechanical Dimensions (mm)



Electrical Characteristics

Ampere Rating	Opening Time		
	1 In	1.35 In	2.5 In
	MIN	MAX	MAX
1A - 15A	4 hr	120 sec	0.2 sec
15.1A - 30A	4 hr	300 sec	3 sec

Catalog Number	Ampere Rating (A)	Voltage Rating (V)	Nominal Cold Resistance (Ohms)	Nominal Melting I ² t (A ² sec.)
ABB / ABB-A 001	1A	500V	0.2399	1.1952
ABB / ABB-A 1.60	1.6A		0.1149	2.3454
ABB / ABB-A 002	2A		0.0840	3.8160
ABB / ABB-A 005	5A		0.0503	12.667
ABB / ABB-A 6.30	6.3A		0.0337	31.910
ABB / ABB-A 010	10A		0.0195	98.280
ABB / ABB-A 012	12A		0.0133	164.20
ABB / ABB-A 015	15A		0.0108	253.53
ABB / ABB-A 020	20A		0.0067	464.40
ABB / ABB-A 025	25A		0.0041	1512.0
ABB / ABB-A 030	30A		0.0036	1986.1