

Conquer fuse holders feature for easy removal, clearly printed/imprinted “fuse” designation for easy panel identification and keyed mounting hole requirement for anti-rotation safety. All fuse holders include mounting washer and solder lugs for wiring.

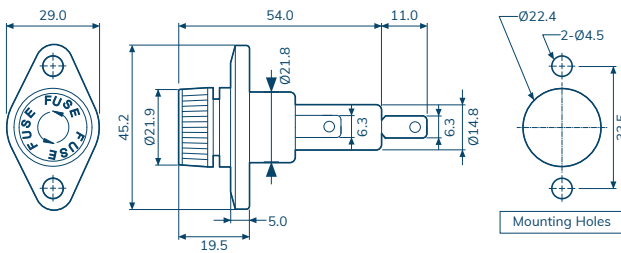
- Insulating body : flame retarding UL 94 V0 thermoplastic material.
- Contact : Nickel or Tin plated copper alloy.

CQ-215

RoHS



For 10.3x38.1mm (5AG) Fuses
Special Fuse Holder

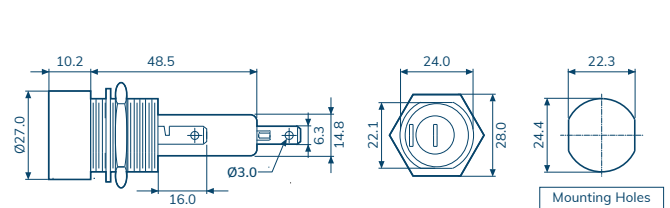


CQ-225

RoHS

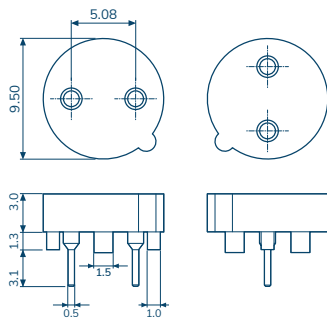
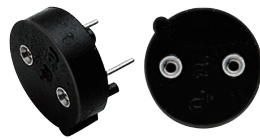


For 10.3x38.1mm (5AG) Fuses
Special Fuse Holder



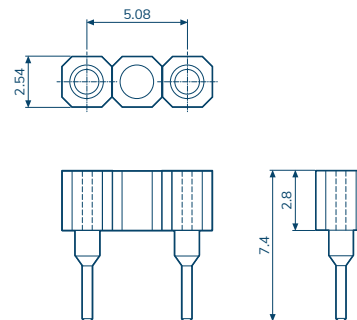
MET Fuse Holder

For MET Fuse



MST Fuse Holder

For MST Fuse



Item Number	CQ-215	CQ-225	MET Fuse Holder	MST Fuse Holder
Rated Current	30A / 600V	30A / 600V	-	-
Housing	-	-	PBT UL94-V0	Glass filled polyester UL94-V0
Insulation Resistance	100MΩ Min	100MΩ Min	10 ³ MΩ at V=100V	10 ³ MΩ at V=100V
Temperature Range	-	-	-55°C to 125°C	-55°C to 125°C
Inner Clip	-	-	Beryllium coppergold plated, Heat treated	Beryllium coppergold plated, Heat treated
Plating	-	-	Nickel / Tin	Nickel / Tin
Max. Current Rating	-	-	6.3A	3A
Contact Resistance	5mΩ At 1A DC	5mΩ At 1A DC	<20mΩ	<20mΩ
Dielectric Strength For 60 sec	AC3000V Min.	AC3000V Min.	-	-
Insertion Force	-	-	<200g	<250g
Withdrawal Force	-	-	>50g	>50g